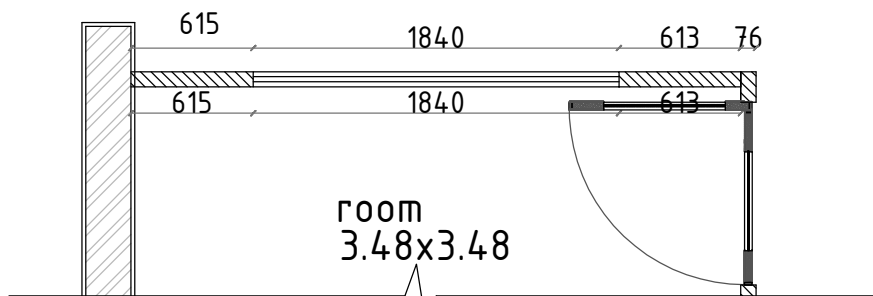
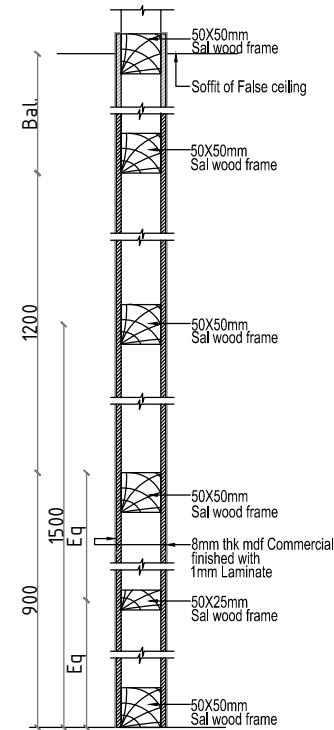


Elevation - Inner

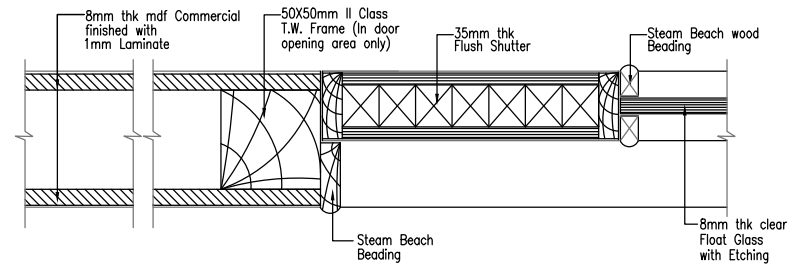


Key Plan



Section 1-1

(Scale - 1:5)



Section 2-2

Partly Glazed & Partly Panelled Details

PROPOSED INTERIOR LAYOUT FOR
oriental insurance
 TRICHY.

DRAWING TITLE : ROOM - FRONT ELEVATION

- ADVANCE COPY
- SCHEME LEVEL
- FINAL COPY
- TENDER COPY

DRAWN : SUMATHI.V

SCALE : NTS

CHKD : V.J.S

DATE : 19-04-2016

JOB NO : 41-445-10AD

SHEET NO : 02

REVISION NO: 00

CADD DOWN-E-DRIVE-41-INTERIOR...

jana
Kamak
 Architects

New No - 16, Old No : C-154/First Floor,
 Sixth cross, East Extension, Thilai Nagar,
 Trichirappalli - 620 018, Tamil Nadu.

e.mail:jana_horizon@yahoo.co.in

HORIZON
 Architects & Associates